

GC38 Surface Mount Slam Latch (With Inside Safety Release)

Features

- Widely used for large size insulated enclosures, such as cold stores or containerised units, where a surface-mounted latch is preferable to avoid breaching the integrity of the door
- With slam action against a roller striker, this system can be used on doors flush-fit against the frame, or offset between 35 - 70 mm height. There is an inside safety "punch" handle for emergency release.
- Smooth slam action and inside release with fluorescent 'mushroom' head for good visibility and fast operation. Offset striker adjustable in 2.5 mm increments.
- Locking with key blocks movement of handle, but bolt can still be slammed shut and opened from inside.
- Surface-mounted latch and striker through 6 mm countersunk holes in flanges.

Material

- Body: Die cast zinc alloy, bright chromium plated or black electrophoretically painted
- Inside release: Moulded in glass-filled material with rubber sleeve
- Mounting plate: Stainless steel

Notes

- Latch set includes **GC38-G01846** slam latch, **G01847** striker and **G01849** inside release handle
- Special offset striker **G01848** sold separately



G01847
(Striker for flush doors, comes with latch)



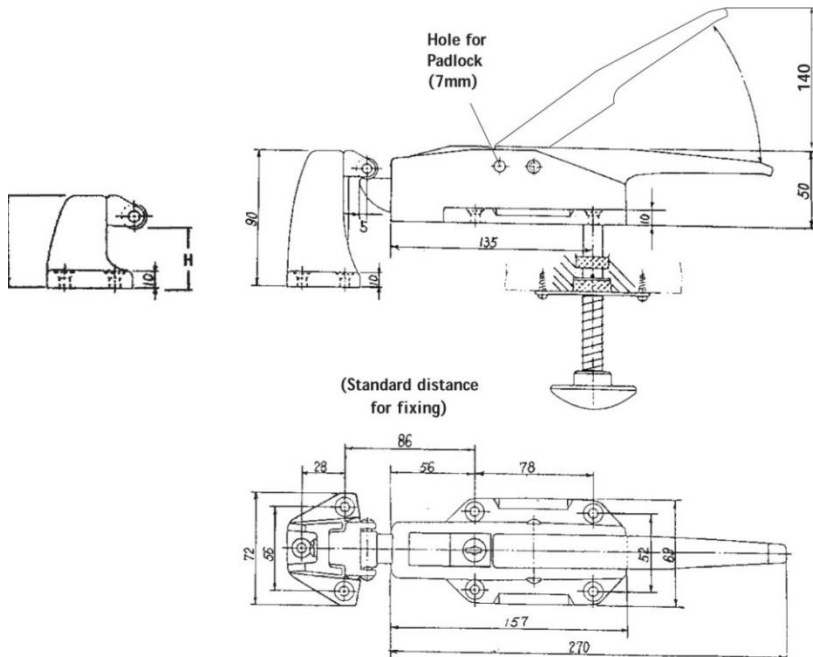
GC38-G01846
(Slam latch, chrome)



G01848
(Striker for offset doors, sold separately)



G01849
(Inside release handle with fluorescent 'mushroom')

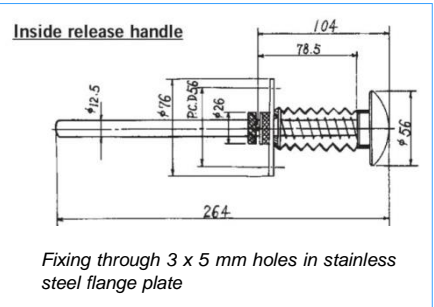


Striker height (H) to roller:

G01847 - 30 mm, fixed

G01848 - 65 to 100 mm adjustable

Adjust striker block by set-screws against base plate in 2.5 mm increments



All mounting holes in latch and striker are 6 mm diameter in 10 mm deep flanges

Part No.	Description	Finish
GC38-G01843	Latch set (comprising GC38-G01846 , G01847 , and G01849)	Chrome
GC38-G01843B		Black